



Product Technical Data Sheet
Model 2806H / 2806H-I

Description

The 2806H is a bi-amp high output speaker with controlled directivity into the mid-bass frequencies.

The 2806H high frequency section features a high performance PRD1000 planar ribbon transducer designed and manufactured by SLS Loudspeakers. The unique design and properties of the planar ribbon driver allows for a very clear delivery and transient accuracy even at the limits of its performance. The PRD1000 is mounted on a 80 degree waveguide to match the dispersion of the midrange at crossover.

The midrange section uses dual 8" drivers mounted on a wave guide. The drivers feature a large vented magnet structure with a flux demodulation ring magnet system which divides by 3 the harmonic distortion in the lower frequency domain and reduces the inductance modulation by 50%, leading to a dynamic and stable sound quality.

Key Features:

- PRD1000 ribbon high frequency driver delivers unsurpassed sound quality
- Horn Loaded midrange with high quality dual 8" drivers for increased clarity and punch.
- Open and clear sound at high SPL due to advanced transducer technology in all bandwidth sections
- 80 x 40 degree dispersion pattern
- Integrated fly-points with handles or just the flypoints in the "I" versions



Product Specifications	
Operating Range ¹	70Hz - 20,000Hz
Sensitivity (1W/1M) - Low Freq. ²	102dB
High Freq.	107dB
Horizontal Coverage Angle -6dB ³	80 Degrees
Vertical Coverage Angle -6dB ³	30 Degrees
Power Handling - Low Freq. ⁴	500W (64 Volts) AES/2
High Freq.	385W (50 Volts) IEC Short Term 104W (26 Volts) IEC Long Term 60W (20 Volts) AES/2
Recommended Amp Power for Max Output	
Low Freq.	1000 Watts @ 8 ohms
High Freq.	400 Watts @ 8 ohms
Max SPL (calculated) 1 Meter - Low Freq.	129dB Cont. / 135dB Peak
High Freq. ⁵	127dB Cont. / 133dB Peak
Nominal Impedance - Low Freq.	8 Ohms
High Freq.	6.5 Ohms
Crossover Frequency	DSP Settings Provided
Transducers - Low Freq.	8" Woofer x 2
High Freq.	PRD1000 Ribbon
Input	NL4 x2
Dimensions	35.5" (90cm) H 19.53" (49.5cm) W 14.38" (36.5cm) D
Enclosure	13 ply Baltic Birch
Weight	97lbs (44 kg) Shipping 112lbs (50.8kg)
Rigging	12 points (3/8" threaded inserts)
Finish	Black Latex White Latex Paintable Natural Finish

Applications

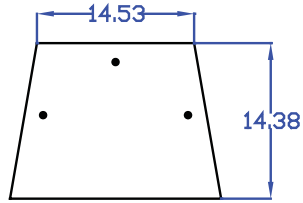
Developed for high performance PA applications where the highest quality and intelligibility of sound is required

- Portable PA
- Stage Sidefills
- High SPL spot fill
- Engineered Clusters

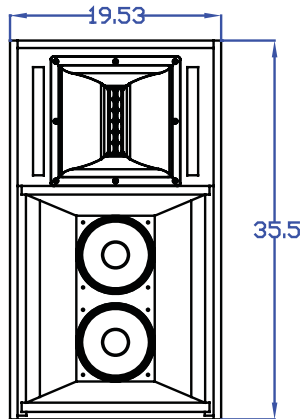
1. LF at -10dB, HF -6dB at 30kHz on-axis however response above 20kHz is limited by air absorption and DSP sampling rates in typical PA applications.
2. Full bandwidth pink noise is applied and amplified to a level and measured at the loudspeaker terminals - corresponding to 1 Watt as referenced to the loudspeakers nominal impedance. SPL is measured in an anechoic environment in the loudspeakers far field. Data is extrapolated to 1 Meters distance from the loudspeaker.
3. Averaged from 1000Hz to 10kHz
4. AES established with ambient temperature at 22C in accordance with AES/2-1984 standard. IEC stated in RMS voltage according to IEC 268-5
5. Ribbon SPL calculated from IEC long term and short term



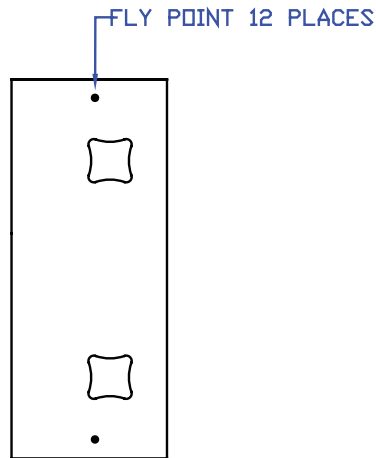
2806H Drawings



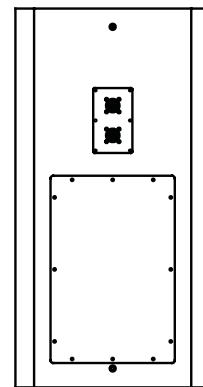
TOP



FRONT



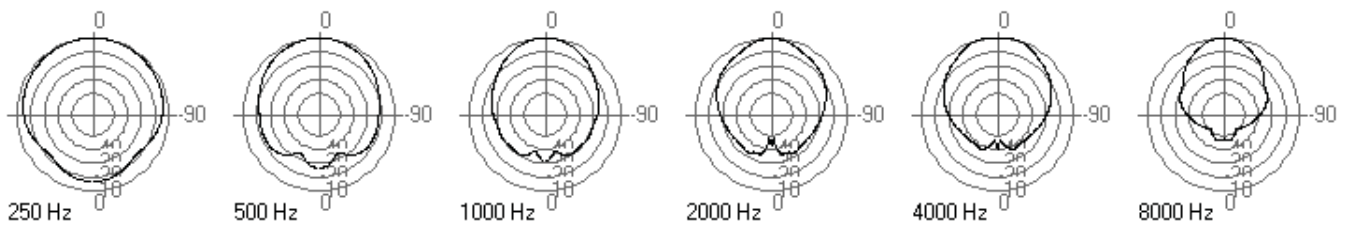
SIDE



BACK

Polars

Horizontal Axis



Vertical Axis

