



Product Technical Data Sheet

**Model 8190v2**

Description

The 8190v2 is a high quality single 8" two-way passive design. It serves as a multipurpose box that offers solutions for fill coverage, small format PA and stage monitoring.

The 8190v2 high frequency section features a high performance PRD500 planar ribbon transducer designed and manufactured by SLS Loudspeakers. The unique design and properties of the planar ribbon driver allows for a very clear delivery and transient accuracy even at the limits of its performance. The PRD500 is contained within a 90 degree die cast aluminum waveguide that is rotatable within the cabinet.

The 8190v2 contains an improved woofer with greater sensitivity and power handling resulting in a 6dB louder design over the original 8190.



Key Features:

- PRD500 ribbon high frequency driver delivers unsurpassed sound quality
- Open and clear sound at high SPL due to advanced transducer technology
- Multi-purpose box design
- Small format
- Handle and pole socket
- 90 degree wide horizontal coverage with rotatable ribbon

Product Specifications	
Operating Range <sup>1</sup>	62Hz - 20,000Hz
Sensitivity (1W/1M) <sup>2</sup>	95dB
Horizontal Coverage Angle -6dB <sup>3</sup>	90 Degrees
Vertical Coverage Angle -6dB <sup>3</sup>	30 Degrees
Power Handling <sup>4</sup>	225W RMS (42 Volts) AES/2
Max SPL (calculated) 1 Meter	119dB Cont. / 125dB Peak
Recommended Amp Power for Max Output	450 Watts @ 8 Ohms
Nominal Impedance	8 Ohms
Crossover Frequency	Internal Passive 1800Hz
Transducers - Low Freq.	8" Bass/Midrange
High Freq.	PRD500 Ribbon
Input	NL4 x2
Dimensions	18.5" (47cm) H 11.5" (29.5cm) W 10.5" (27.6cm) D
Enclosure	13ply Baltic Birch
Weight	23lbs (10.4kg) Shipping 29lbs (13kg)
Rigging	Non Provided
Finish Options	Black Latex White Latex Paintable Natural Finish

**Applications**

Developed for a wide range of professional applications where the highest quality and intelligibility of sound is required

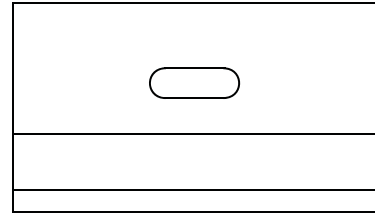
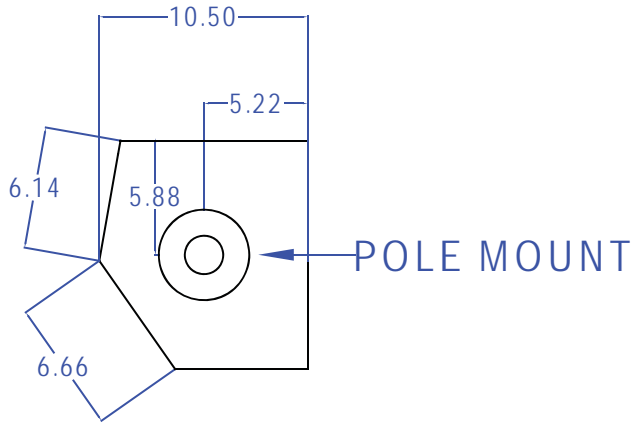
- Small format PA
- Stage Monitoring
- Front Fill

1. LF at -10dB, HF -6dB at 40kHz on-axis however response above 20kHz is limited by air absorption and DSP sampling rates in typical PA applications.  
 2. Full bandwidth pink noise is applied and amplified to a level and measured at the loudspeaker terminals - corresponding to 1 Watt as referenced to the loudspeakers nominal impedance. SPL is measured in an anechoic environment in the loudspeakers far field. Data is extrapolated to 1 Meters distance from the loudspeaker.  
 3. Averaged from 1000Hz to 10kHz  
 4. AES established with ambient temperature at 22C in accordance with AES/2-1984 standard. IEC stated in RMS voltage according to IEC 268-5

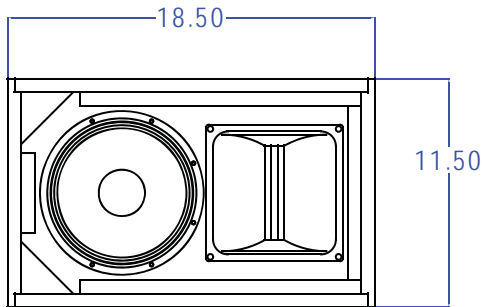


**SUPERIOR LISTENING SYSTEMS**  
AUDIO CLARITY REDEFINED

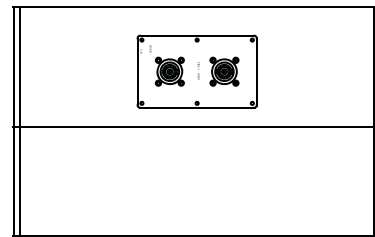
## 8190v2 Drawings



**TOP**



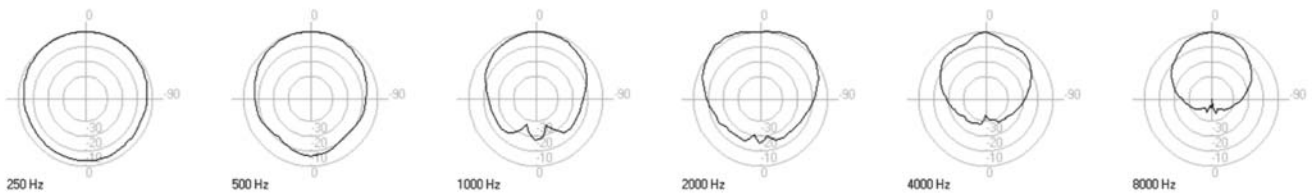
**FRONT**



**BACK**

## Polars

Horizontal Axis



Vertical Axis

