



CS115XL

CINEMA SUBWOOFER MODULE

SLS AUDIO A DIVISION OF DOLBY LABORATORIES 1650 W. JACKSON OZARK, MO 65721 417-323-7000

TECH DATA SHEET



Description:

The CS115XL is a small format cinema subwoofer. Its primary application is for use as an LFE channel with the CS50/CSB115 screen channel system for smaller theaters.

The 15", long excursion, lightweight bass loudspeaker has been specifically designed to deliver high impact bass response. The magnetic structure incorporates a powerful neodymium magnet, reducing the total mass of the unit to less than 50% of a conventional ferrite model.

Key Features:

- ◆ Powerful neodymium magnet assembly
- ◆ Open and clear sound at high SPL due to advanced transducer technology
- ◆ 13-ply 3/4" Baltic Birch cabinet construction
- ◆ Barrier strip input connection

Applications:

- ◆ Developed for high performance cinema applications where the highest quality and intelligibility of sound is required
- ◆ LFE channel effects for small auditoriums

Specifications/CS115XL*

Operating Range	35Hz to 300Hz
Sensitivity (1W@1M) ¹	98dB
Power Handling ²	500W (64V) AES/2
Recommended Amplifier	1000W
Max SPL (calculated) 1M	126dB Cont. / 132dB Peak
Nominal Impedance	8 ohms
Transducers	LF 15" Neo Woofer
Input	Barrier Strip
Dims	25" (63.5cm) H 23" (58.4cm) W 16.75" (42.54cm) D
Enclosure	13 ply Baltic birch
Net Weight	55 lbs.
Finish Options	Flat Black Latex

*Due to product improvement research, SLS Audio reserves the right to make changes to existing products without notice.

1. A sine wave sweep is applied to a voltage level measured at the loudspeaker terminals corresponding to 1W@1M as referenced to the loudspeakers nominal impedance and the measuring distance. SPL is measured in an anechoic environment in the loudspeakers far field with the exception of subwoofers which are measured in half space. Sensitivity is determined by a Log/Log averaging method from 315Hz to 16kHz in the anechoic environment. Subwoofers use the same method with the half space measurement but within their specified operating bandwidth.

2. AES established in accordance with AES/2-2012 standard.

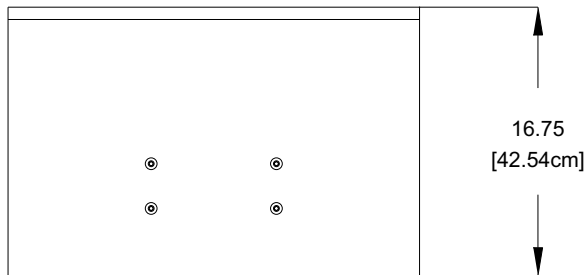


CS115XL

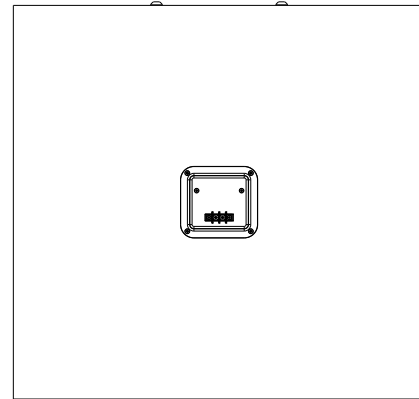
CINEMA SUBWOOFER MODULE

SLS AUDIO A DIVISION OF DOLBY LABORATORIES 1650 W. JACKSON OZARK, MO 65721 417-323-7000

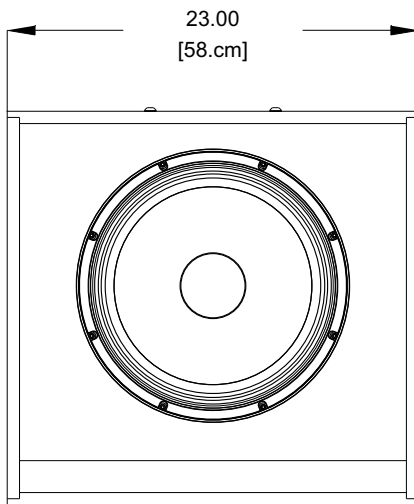
TECH DATA SHEET



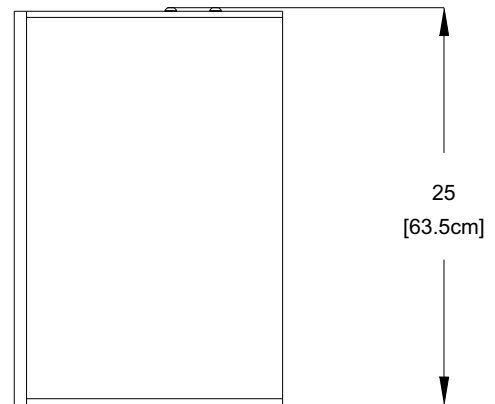
TOP



BACK



FRONT



SIDE