



CS1290C

CINEMA OVERHEAD SURROUND SPEAKER SYSTEM

SLS AUDIO A DIVISION OF DOLBY LABORATORIES 1650 W. JACKSON OZARK, MO 65721 417-323-7000

TECH DATA SHEET



Description:

The CS1290C is a high quality single 12" two-way passive design. It serves as an overhead surround sound source module for larger auditoriums.

The CS1290C high frequency section features a high performance PRD500 planar ribbon transducer designed and manufactured by SLS Loudspeakers. The unique design and properties of the planar ribbon driver allows for a very clear delivery and transient accuracy even at the limits of its performance. The PRD500 is contained within a 90 degree die cast aluminum waveguide rotated so that the 90 degree pattern is in the vertical plane.

Key Features:

- ◆ PRD500 planar ribbon, high frequency driver delivers unsurpassed sound quality
- ◆ Open and transparent sound even at high SPL due to advanced transducer technology
- ◆ Optional U-Bracket for easy installation and aiming
- ◆ Attachment points for 3rd party bracket

Applications:

- ◆ Developed for high performance cinema applications where the highest quality and intelligibility of sound is required
- ◆ Large Format Overhead Surround Source

Specifications/CS1290C*

Operating Range	55Hz to 20kHz
Sensitivity (1W@1M) ¹	98dB
Horizontal Coverage -6dB ²	40degs
Vertical Coverage -6dB ²	90degs
Power Handling ³	400W (56.6V) AES/2
Recommended Amplifier	800W @ 8 ohms
Max SPL (calculated) 1M	124dB continuous/130dB peak
Nominal Impedance	8 ohms
Crossover Frequency	Passive 1500Hz
Transducers	LF 12" Woofer HF PRD500 Ribbon Driver
Input	Barrier Strip
Dims	22.5" (57cm) H 15.5" (39.4cm) W 12.39" (31.5cm) D
Enclosure	Baltic birch
Net Weight	43 lbs.
Rigging	U-Bracket Side Mounts & Rear mounts For 3 rd party mounting systems
Optional Accessories	U Bracket (BKT-CS1290-UB) Adaptive Technologies MultiMount™ (MM-060)
Finish Options	Flat Black Latex

*Due to product improvement research, SLS Audio reserves the right to make changes to existing products without notice.

1. A sine wave sweep is applied to a voltage level measured at the loudspeaker terminals corresponding to 1W@1M as referenced to the loudspeakers nominal impedance and the measuring distance. SPL is measured in an anechoic environment in the loudspeakers far field with the exception of subwoofers which are measured in half space. Sensitivity is determined by a Log/Log averaging method from 315Hz to 16kHz in the anechoic environment. Subwoofers use the same method with the half space measurement but within their specified operating bandwidth.

2. Averaged from 500Hz to 8kHz

3. AES established in accordance with AES/2-2012 standard.

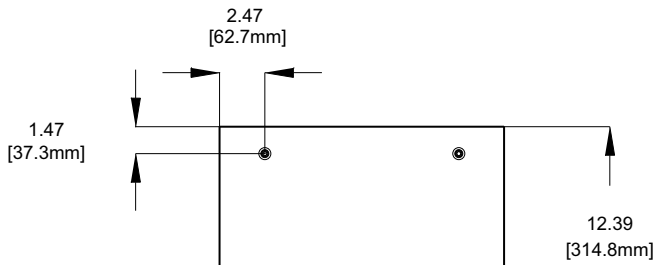


CS1290C

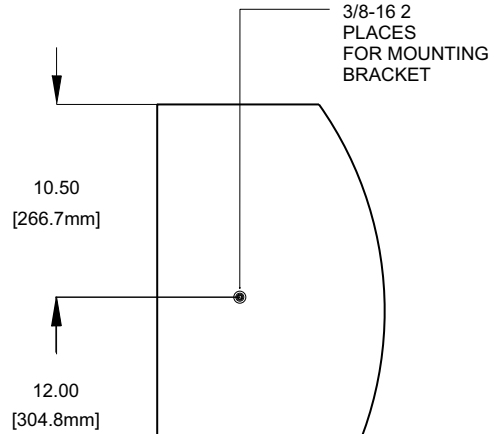
CINEMA OVERHEAD SURROUND SPEAKER SYSTEM

SLS AUDIO A DIVISION OF DOLBY LABORATORIES 1650 W. JACKSON OZARK, MO 65721 417-323-7000

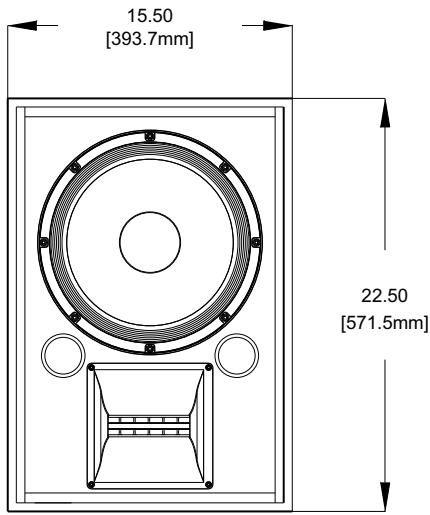
TECH DATA SHEET



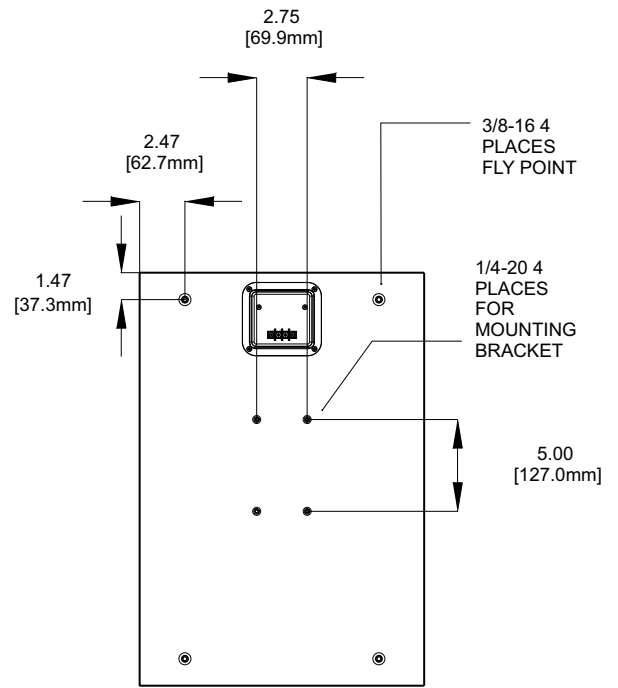
TOP



SIDE



FRONT



BACK