



CSB215

CINEMA SCREEN CHANNEL LOW FREQUENCY MODULE

SLS AUDIO A DIVISION OF DOLBY LABORATORIES 1650 W. JACKSON OZARK, MO 65721 417-323-7000

TECH DATA SHEET



Description:

The CSB215 is a Mid/Bass cinema loudspeaker. Its primary application is for use as a companion to the CS200MH/CS300MH Mid/High enclosures in medium to large size theaters.

The 15" long excursion, bass loudspeakers have been specifically designed to deliver high impact bass response.

Key Features:

- ◆ Powerful magnet assembly
- ◆ Open and clear sound at high SPL due to advanced transducer technology
- ◆ 13-ply 3/4" Baltic Birch cabinet construction
- ◆ Barrier strip input connection

Applications:

- ◆ Developed for high performance cinema applications where the highest quality and intelligibility of sound is required
- ◆ Behind Screen LCR

Specifications/CSB215*

Operating Range	40Hz to 800Hz
Sensitivity (1W@1M) ¹	99dB
Horizontal Coverage	-
Vertical Coverage	-
Power Handling	800W (56.6V) AES/2
Recommended Amplifier	1600W
Max SPL (calculated) 1M	128dB continuous/134dB peak
Nominal Impedance	4 ohms
Crossover Frequency	-
Transducers	LF 15" x 2
Input	Barrier Strip
Dims	33"H (838.2mm) 23"W (584.2mm) 15"D (381mm)
Enclosure	13 ply Baltic birch
Net Weight	83 lbs.
Rigging	Attachment Points for CS300MH & CS200MH
Optional Accessories	-
Finish Options	Flat Black Latex

*Due to product improvement research, SLS Audio reserves the right to make changes to existing products without notice.

1. A sine wave sweep is applied to a voltage level measured at the loudspeaker terminals corresponding to 1W@1M as referenced to the loudspeakers nominal impedance and the measuring distance. SPL is measured in an anechoic environment in the loudspeakers far field with the exception of subwoofers which are measured in half space. Sensitivity is determined by a Log/Log averaging method from 315Hz to 16kHz in the anechoic environment. Subwoofers use the same method with the half space measurement but within their specified operating bandwidth.

3. AES established in accordance with AES/2-2012 standard.

CSB215 SHOWN WITH CS300MH
MID/HI FREQUENCY MODULE



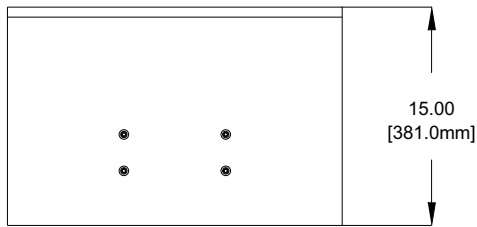


CSB215

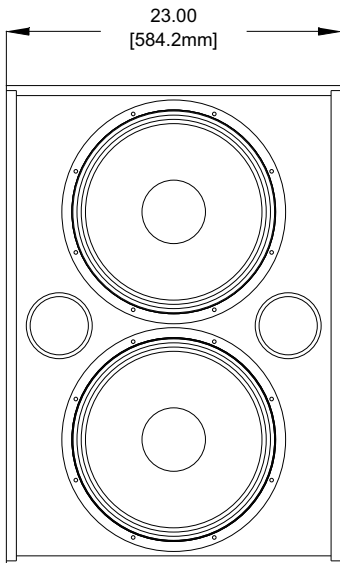
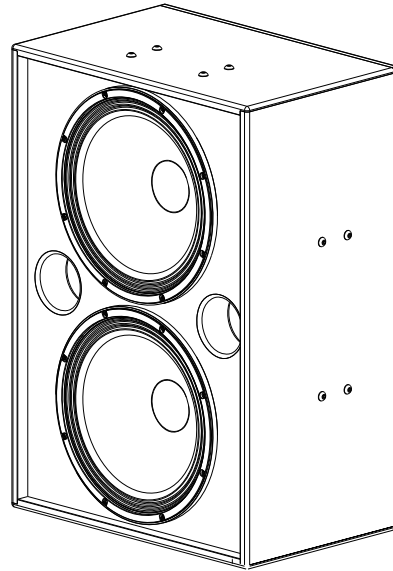
CINEMA SCREEN CHANNEL LOW FREQUENCY MODULE

SLS AUDIO A DIVISION OF DOLBY LABORATORIES 1650 W. JACKSON OZARK, MO 65721 417-323-7000

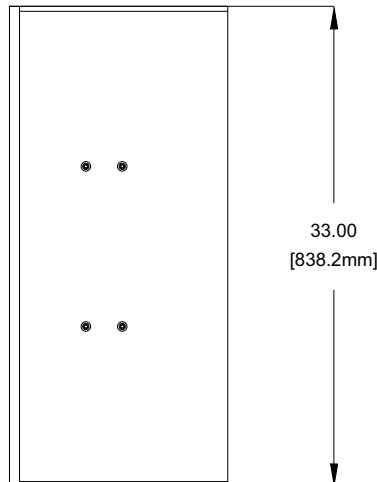
TECH DATA SHEET



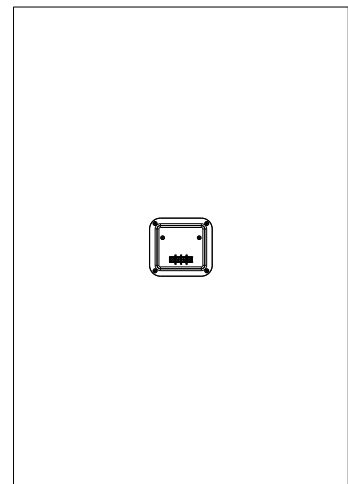
TOP



FRONT



SIDE



BACK