



Product Technical Data Sheet

Model S1065

Description

The S1065 is a full-range world class studio monitor that offers high SPL at very low distortion. The entire mid/high section can also be rotated in order to achieve mirror imaging for left, center, right configurations.

This speaker features the high-performance PRD500 planar ribbon high-frequency transducer designed and manufactured by SLS Loudspeakers. The unique design and properties of the planar ribbon driver allows for very clear delivery and transient accuracy even at the limits of its performance.

The PRD500 is paired with a 6.5" midrange driver via a passive network. This audiophile mid/high crossover utilizes high quality heavy gauge air core inductors and polypropylene capacitors.

The low frequency section uses dual high-powered 10" Poly-Neo drivers designed for incredible speed to keep pace with the transient performance of the PRD500 ribbon.

Key Features:

- PRD500 ribbon high-frequency driver delivers unsurpassed sound quality
- Open and clear sound at high SPL due to advanced transducer technology
- 120-degree wide horizontal coverage with a rotatable mid/high section
- Extensively braced 1" MDF cabinet construction
- Motorboard uses 2" MDF construction



Product Specifications		
Operating Range ¹	23Hz - 40,000Hz	
Sensitivity (1W/1M) - Low Freq. ²	94dB	
	Mid/High Freq.	97dB
Horizontal Coverage Angle -6dB ³	120 Degrees	
Vertical Coverage Angle -6dB ³	30 Degrees	
Power Handling - Low Freq. ⁴	250W (31 Volts) AES/2	
	Mid/High Freq.	250W (45 Volts) AES/2
Recommended Amp Power for Max Output	Low Freq.	500 Watts @ 4 ohms
	Mid/High Freq.	500 Watts @ 8 ohms
Max SPL (calculated) 1 Meter - Low Freq.	118dB Cont. / 124dB Peak	
	Mid/High Freq.	121dB Cont. / 127dB Peak
Nominal Impedance - Low Freq.	4 Ohms	
	Mid/High Freq.	8 Ohms
Crossover Frequency	DSP Settings Provided	
Transducers - Low Freq.	10" Woofers x 2	
	Mid Freq.	6.5" Midrange
	High Freq.	PRD500 Ribbon
Input	NL4 x2 (Pair 1 = LF, Pair 2 = MF, HF)	
Dimensions	26" (66cm) H	
	34" (86.4cm) W	
	12" (30.5cm) D	
Enclosure	MDF	
Weight	136lbs (61.7kg) Shipping 146lbs (66.2kg)	
Rigging	None Provided	
Finish Options	Black Latex	

Applications

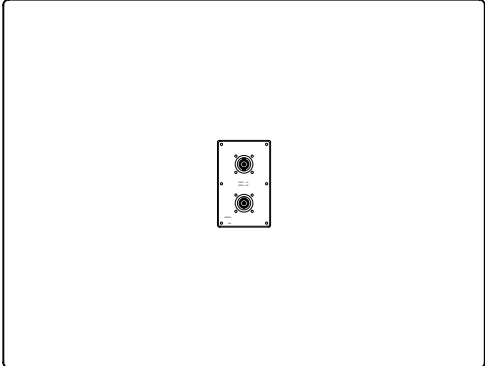
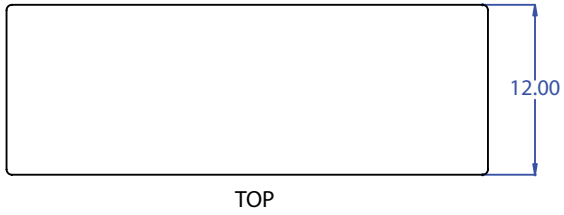
Developed for high SPL studio monitoring where the highest quality and neutrality of sound is required

- In-wall placement high SPL monitoring
- Installation systems for foreground music playback
- High SPL Home Theater

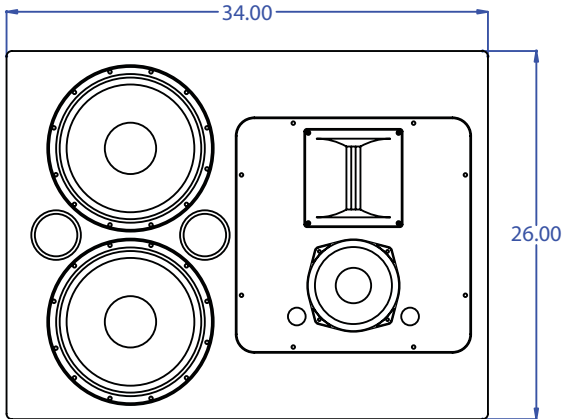
1. LF at -10dB, HF -6dB 35Hz - 3kHz +/- 1.5dB.
 2. Full bandwidth pink noise is applied and amplified to a level and measured at the loudspeaker terminals - corresponding to 1 Watt as referenced to the loudspeakers nominal impedance. SPL is measured in an anechoic environment in the loudspeakers far field. Data is extrapolated to 1 Meters distance from the loudspeaker.
 3. Averaged from 1000Hz to 10kHz
 4. AES established with ambient temperature at 22C in accordance with AES/2-1984 standard. IEC stated in RMS voltage according to IEC 268-5



S1065 Drawings



BACK



SIDE