



Product Technical Data Sheet

Model T28R-I

Description

The T28R-I is a full-range extremely high quality dual 8" two-way design with integrated rigging points. It serves as a multipurpose installation loudspeaker that provides very low distortion with wide horizontal coverage in a small enclosure.

The T28R-I high frequency section features a high performance PRD500 planar ribbon transducer designed and manufactured by SLS Loudspeakers. The unique design and properties of the planar ribbon driver allows for a very clear delivery and transient accuracy even at the limits of its performance. The PRD500 is contained within a 110 degree die cast aluminum waveguide that can be rotated 90 degrees within the cabinet.

The low frequency section uses two 8" drivers identical to our highly acclaimed S8R studio monitors. These drivers offer the best balance between maximum performance and the SPL capability for live applications.

The crossover maintains the high quality using heavy gauge air core inductors and polypropylene capacitors.



Key Features:

- PRD500 ribbon high frequency driver delivers unsurpassed sound quality
- Dual 8" studio quality low frequency drivers
- Integrated rigging points
- 110 degree wide horizontal coverage with rotatable ribbon
- 3/4" 13 ply Baltic Birch cabinet

Product Specifications	
Operating Range ¹	54Hz - 20,000Hz
Sensitivity (1W/1M) ²	93dB
Horizontal Coverage Angle -6dB ³	110 Degrees
Vertical Coverage Angle -6dB ³	30 Degrees
Power Handling ⁴	250W RMS (31.6 Volts) AES/2
Max SPL (calculated) 1 Meter	117dB Cont. / 123dB Peak
Recommended Amp Power for Max Output	500 Watts @ 4 ohms
Nominal Impedance	4 Ohms
Crossover Frequency	Internal Passive 1500Hz
Transducers - Low Freq.	8" Bass/Midrange x2
High Freq.	PRD500 Ribbon
Input	Barrier Strip
Dimensions	29.75" (75.6cm) H 12" (30.5cm) W 13.5" (34.4cm) D
Enclosure	13ply Baltic Birch
Weight	40lbs (18kg) Shipping 48lbs (21.8kg)
Rigging	14 Points 3/8"/16 Threaded Inserts
Finish Options	Black Latex White Latex Paintable Natural Finish

Applications

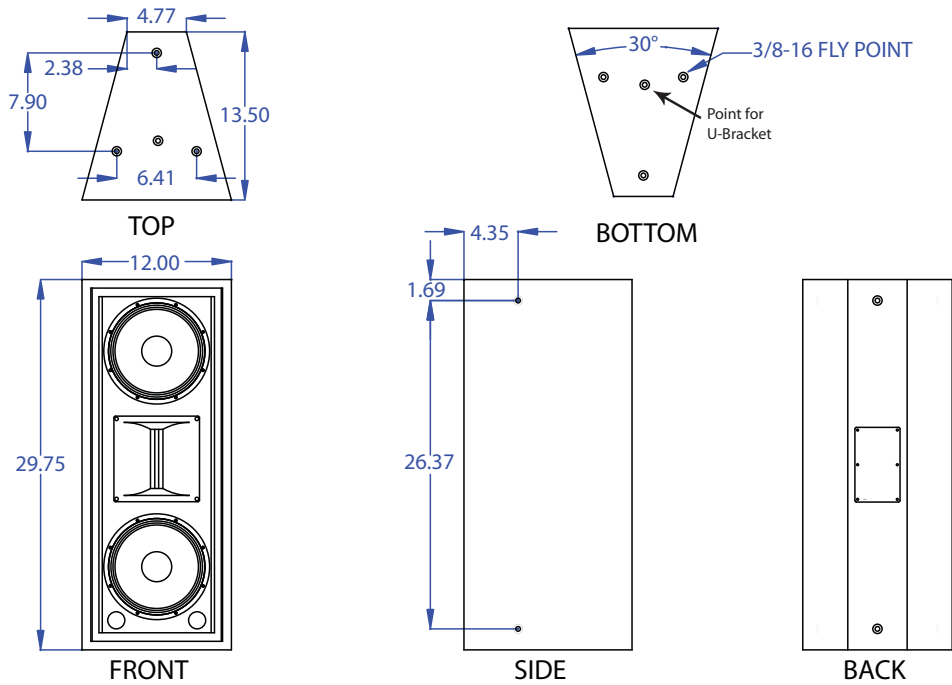
Developed for a wide range of professional applications where the highest quality and intelligibility of sound is required

- The ultimate in installation PA for moderate SPL requirements

1. LF at -10dB, HF -6dB at 40kHz on-axis however response above 20kHz is limited by air absorption and DSP sampling rates in typical PA applications.
 2. Full bandwidth pink noise is applied and amplified to a level and measured at the loudspeaker terminals - corresponding to 1 Watt as referenced to the loudspeakers nominal impedance. SPL is measured in an anechoic environment in the loudspeakers far field. Data is extrapolated to 1 Meters distance from the loudspeaker.
 3. Averaged from 1000Hz to 10kHz
 4. AES established with ambient temperature at 22C in accordance with AES/2-1984 standard. IEC stated in RMS voltage according to IEC 268-5



T28R-I Drawings



Polars

